

BDPG-38-86-Series



FEATURES

- **DC Brush Planetary Gearmotor**
- **Designed for High Volume Applications**
- **Up to 416.62 oz-in of Continuous Torque**
- **38 mm Motor Body Diameter**



DESCRIPTION

The BDPG-38-86 Series was designed for high volume OEM applications with low cost being the primary objective. These reliable low cost Brush DC Planetary Gearmotors come in variety of power levels, sizes, and will be sure to fit your needs. The motors are fully reversible. The BDPG-38-86 Series is a cost-effective solution to manage motion control in many rotary applications including medical, semiconductor, pumps, robotics, hobby, CNC, and many other applications where a low cost Brush DC Planetary Gearmotor is needed.

SPECIFICATIONS

BDPG-38-12V-3000-Rxx Types

Motor Specs	No Load Speed (RPM)	Rated Voltage (V)	No Load Current (A)	Output Power (W)	Rated Current (A)	Stall Current (A)
	3000	12	0.15	10	1.3	4.4

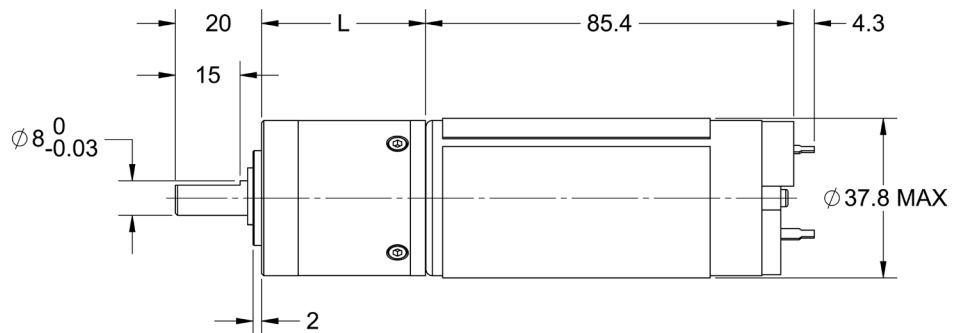
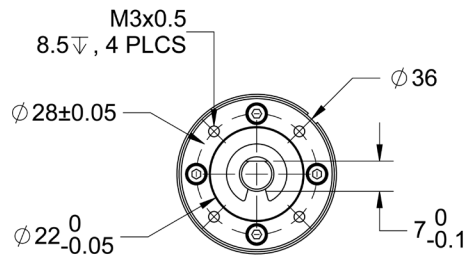
Model #	Gear Ratio	No Load Speed (RPM)	Rated Speed (RPM)	Rate Torque (oz-in)	Peak Torque (oz-in)	Weight (lbs)	L Length (mm)
BDPG-38-86-12V-3000-R3.7	3.7	808	654	19.44	94	1.21	38.0
BDPG-38-86-12V-3000-R5.2	5.2	579	467	26.39	133	1.21	38.0
BDPG-38-86-12V-3000-R14	14	214	172	69.44	357	1.21	38.0
BDPG-38-86-12V-3000-R19	19	157	127	94.43	416.62	1.21	38.0
BDPG-38-86-12V-3000-R27	27	111	89	134.71	416.62	1.21	38.0
BDPG-38-86-12V-3000-R51	51	59	47	249.97	833.24	1.24	47.5
BDPG-38-86-12V-3000-R71	71	42	35	333.30	833.24	1.24	47.5
BDPG-38-86-12V-3000-R100	100	30	25	416.62	833.24	1.24	47.5
BDPG-38-86-12V-3000-R139	139	21	20	416.62	833.24	1.24	47.5

L010524

BDPG-38-24V-3000-Rxx Types

Motor Specs	No Load Speed (RPM)	Rated Voltage (V)	No Load Current (A)	Output Power (W)	Rated Current (A)	Stall Current (A)
	3000	24	0.08	10	0.7	2.9

Model #	Gear Ratio	No Load Speed (RPM)	Rated Speed (RPM)	Rate Torque (oz-in)	Peak Torque (oz-in)	Weight (lbs)	L Length (mm)
BDPG-38-86-24V-3000-R3.7	3.7	811	686	20.94	115.26	1.21	38.0
BDPG-38-86-24V-3000-R5.2	5.2	577	488	29.43	124.99	1.21	38.0
BDPG-38-86-24V-3000-R14	14	214	181	79.24	416.62	1.21	38.0
BDPG-38-86-24V-3000-R19	19	158	134	107.54	416.62	1.21	38.0
BDPG-38-86-24V-3000-R27	27	111	94	138.87	416.62	1.21	38.0
BDPG-38-86-24V-3000-R51	51	59	50	277.75	833.24	1.24	47.5
BDPG-38-86-24V-3000-R71	71	42	36	277.75	833.24	1.24	47.5
BDPG-38-86-24V-3000-R100	100	30	25	277.75	833.24	1.24	47.5
BDPG-38-86-24V-3000-R139	139	22	18	277.75	833.24	1.24	47.5



Housing Material:	Metal	Radial Play of Shaft:	0.08mm
Bearing at Output:	Sleeve Bearing	Shaft Press Fit Force, Max:	< 33.07lbs
Humidity:	90%-95%	Operating Temperature:	14°F - 104°F